

brand	<b>MC CULLOCH - PARTNER</b>
-------	-----------------------------

date	NOV/02	SHEET 1/4
------	--------	-----------

Model	Prefix
<b>VIRGINIA MH 542 - MH 555</b>	07
<b>PARTNER HG 17- HG 22</b>	07
<b>BRICOMARCHE BMTH 2555</b>	07

Product number
<b>953900128 - 953900129</b>
<b>953900213 - 953900180</b>
<b>953900262</b>

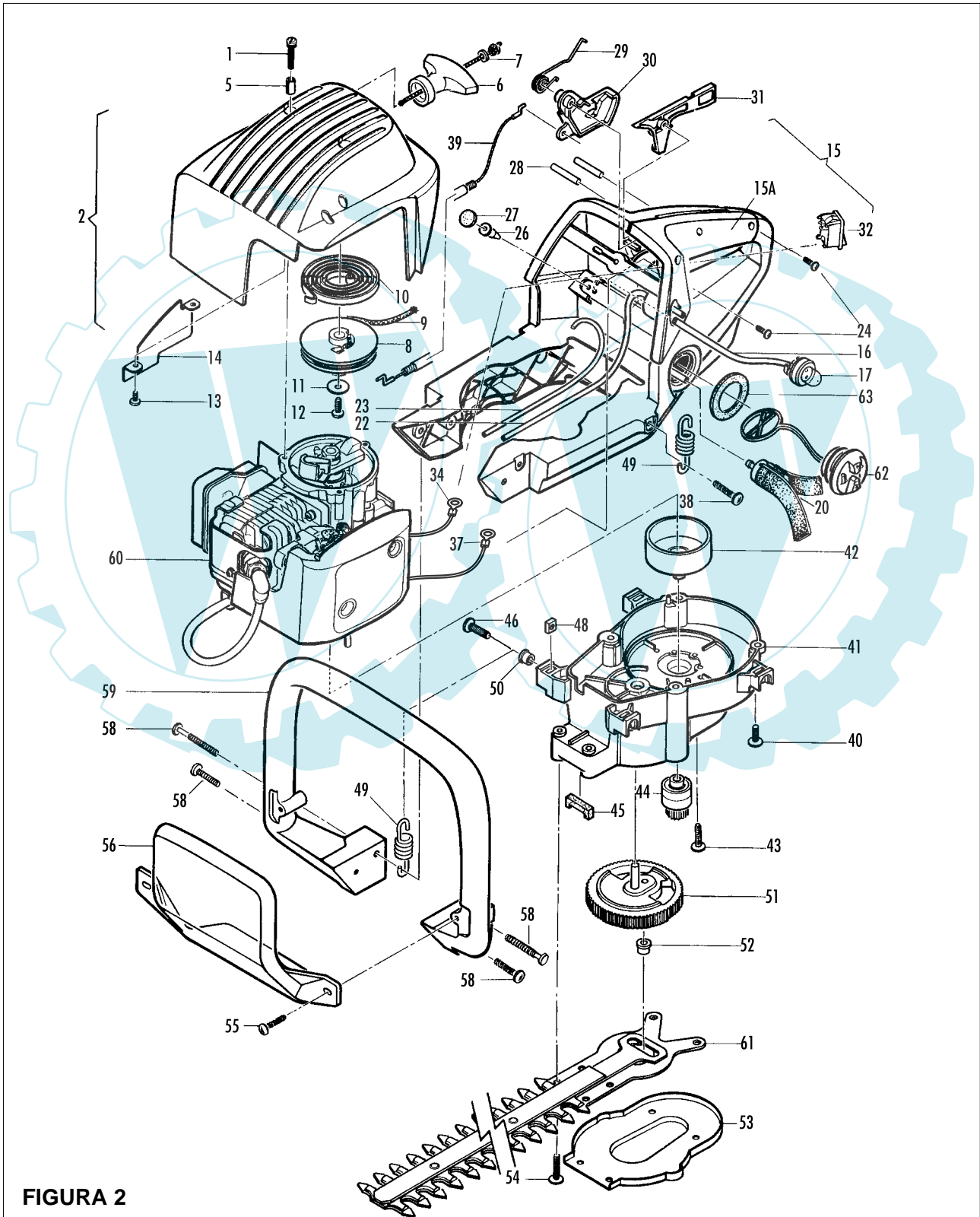


FIGURA 2

brand	<b>MC CULLOCH - PARTNER</b>
-------	-----------------------------

date	NOV/02	SHEET 2/4
------	--------	-----------

Model	Prefix
<b>VIRGINIA MH 542 - MH 555</b>	07
<b>PARTNER HG 17- HG 22</b>	07
<b>BRICOMARCHE BMTH 2555</b>	07

Product number
<b>953900128 - 953900129</b>
<b>953900213 - 953900180</b>
<b>953900262</b>

**FIGURA 2**

pos	P/N McC	P/N ELX	Qty	Description
1	241963	538241963	3	SCREW
2	242741	538242741	1	GOLD AIR FILTER COVER
2	242112	538242112	1	GREEN AIR FILTER COVER
5 ●	241617	538241617	3	BUSHING 5X10
6 ●	241778	538241778	1	HANDLE-STARTER
7 ●	235612	538235612	1	WASHER
B 8 ●	241620	538241620	1	STARTER PULLEY
A 9 ●	241746	538241746	1	STARTER ROPE
B 10 ●	241619	538241619	1	STARTER SPRING
11 ●	241703	538241703	1	STARTER WASHER
12 ●	300294	538300294	1	SCREW
13 ●	111069	538111069	2	SCREW 8X16X.375
14 ●	241758	538241758	1	AIR CONDUCTOR
C 15	241866	538241866	1	REAR HANDLE ASSY
15A ●	241846	538241846	1	HALF HANDLE LEFT
B 16 ●	241777	538241777	1	MIX PIPE
C 17 ●	224242-01	538022424	1	PRIMER REMOTE
A 20 ●	240452	538240452	1	PICK UP FUEL
B 22 ●	241776	538241776	1	PRIMER PIPE
B 23 ●	241775	538241775	1	TUBE MIX
24 ●	240862	538240862	3	SCREW 4X18
C 26 ●	322199	538322199	1	VALVE DUCKBILL
C 27 ●	241717	538241717	1	VALVE VERNAY FELT
28 ●	241762	538241762	2	PIN TRIGGER
29 ●	241637	538241637	1	LEVER SPRING
C 30 ●	241635	538241635	1	GAS LEVER
C 31 ●	241636	538241636	1	SAFETY LEVER
C 32 ●	228277	538228277	1	ON-OFF SWITCH
34 ●	241867	538241867	1	GROUND CABLE
37	241630	538241630	1	IGNITION CABLE/INTERR.
38	111117	538111117	2	SCREW 10-14X1"
C 39	241642	538241642	1	GAS CABLE
40	111119	538111119	4	SCREW M4X0,7X14 TRUSS TRX
41	249083	538249083	1	COVER CLUTCH ASSY
C 42 ●	241771	538241771	1	CLUTCH DRUM
43 ●	218644	538218644	2	SCREW
44 ●	225007-01	538225007	1	GEAR

pos	P/N McC	P/N ELX	Qty	note
45 ●	241633	538241633	1	SAND SHIELD FELT
46 ●	217936	538217936	4	SCREW 10-24X.75
48 ●	218005	538218005	4	NUT SQUARE 10-24
C 49 ●	241634	538241634	4	SPRING
50 ●	241765	538241765	4	BUSHING
C 51	242457	538242457	1	BLADE GEAR
B 52	242521	538242521	1	BUSH
53	241761	538241761	1	GEAR BOX COVER
54	111117	538111117	6	SCREW 10-14X1"
55	111117	538111117	2	SCREW 10-14X1"
56	241654	538241654	1	FRONT HANDLE PROTECTION
58	219883	538219883	4	SCREW
59	241868	538241868	1	FRONT HANDLE
60	<b>FIGURA 1</b>			
C 61	242458	538242458	1	17" BLADE ASSY
C 61	242854	538242854	1	22" BLADE ASSY
B 62	241234	538241234	1	FUEL CAP ASSY
C 63 ●	235510	538235510	1	O-RING MIX CAP

A= ALTA ROTAZIONE  
B=MEDIA ROTAZIONE  
C=BASSA ROTAZIONE

A=HIGH MOVING  
B=MEDIUM MOVING  
C=SLOW MOVING

A=HAUTE DEMANDE  
B=MOYENNE DEMANDE  
C=BASSE DEMANDE

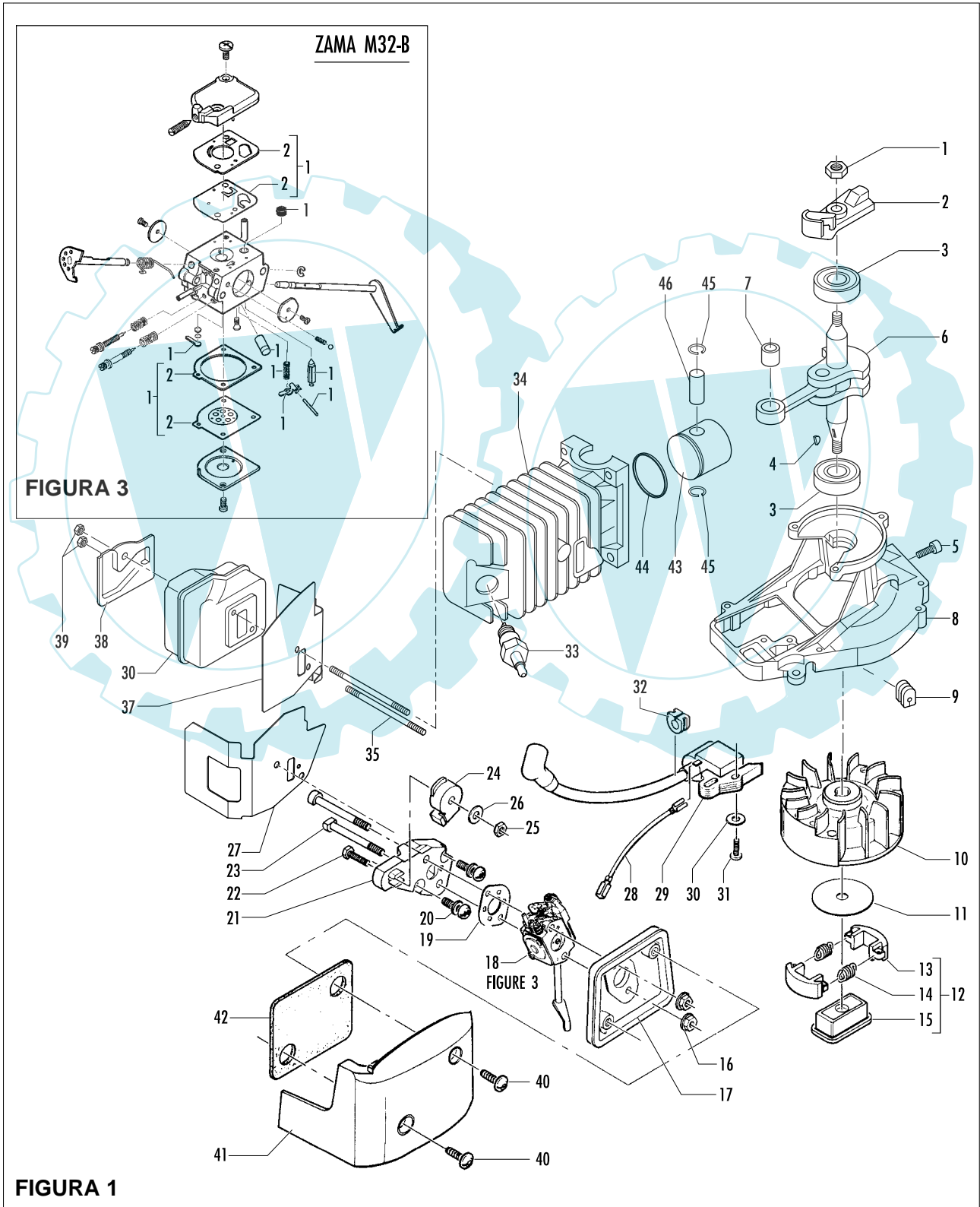
A=GROßE NACHFRAGE  
B=MITTELMAßIGE  
C=WENIGE NACHFRAGE

brand	<b>MC CULLOCH - PARTNER</b>
-------	-----------------------------

date	NOV/02	SHEET 3/4
------	--------	-----------

Model	Prefix
<b>VIRGINIA MH 542 - MH 555</b>	07
<b>PARTNER HG 17- HG 22</b>	07
<b>BRICOMARCHE BMTH 2555</b>	07

Product number
<b>953900128 - 953900129</b>
<b>953900213 - 953900180</b>
<b>953900262</b>



brand	<b>MC CULLOCH - PARTNER</b>
-------	-----------------------------

date	NOV/02	SHEET 4/4
------	--------	-----------

Model	Prefix
<b>VIRGINIA MH 542 - MH 555</b>	07
<b>PARTNER HG 17- HG 22</b>	07
<b>BRICOMARCHE BMTH 2555</b>	07

Product number
<b>953900128 - 953900129</b>
<b>953900213 - 953900180</b>
<b>953900262</b>

**FIGURA 1**

pos	P/N McC	P/N ELX	Qty	Description
1	241624	538241624	1	NUT M8
2	241784	538241784	1	STARTER PAWL ASSY
C 3	242030	538242030	2	BEARING/GROMMET ASSY
C 4	227631	538227631	1	KEY
5	227565	538227565	4	SCREW M5X25
6	242003	538242003	1	CRANKSHAFT ASSY
C 7	235742	538235742	1	NEEDLE BEARING 0 9X14X12 MM
8	242029	538242029	1	ENGINE CARTER CABRIO 251
9	241607	538241607	1	FAIR LEAD
10	241796	538241796	1	FLYWHEEL
11	241604	538241604	1	CLUTCH DUST SHIELD 25CC
B 12	241793	538241793	1	CLUTCH ASSY
13	● 241743	538241743	2	CLUTCH ROTOR
A 14	● 241794	538241794	2	SPRI CLUTCH CABRIO/HC 25
15	● 241789	538241789	1	ROTOR-CLUTCH
16	111058	538111058	2	NUT 10-24 FLANGE
17	241647	538241647	1	AIR FILTER COVER
18	<b>FIGURA 3</b>			
19	241600	538241600	1	SPACER/CARB. GASKET
20	235806	538235806	2	SCREW M5 X 20 TCE
C 21	241590	538241590	1	CARB. SPACER
22	240131	538240131	1	SCREW M5X20
23	111057	538111057	2	SCREW 10-24
24	241644	538241644	1	GAS GUIDE-CABLE
25	235642	538235642	1	NUT M5
26	235163	538235163	1	WASHER
27	242516	538242516	1	CIL./SPAC. GASKET
28	241630	538241630	1	IGNITION CABLE/INTERR.
C 29	241749	538241749	1	IGNITION COIL
30	242131	538242131	2	MUFFLER
31	235806	538235806	2	SCREW M5 X 20 TCE
32	236322	538236322	1	GROMMET
A 33	92879	538092879	1	SPARK PLUG RDJ&J
C 34	241800	538241800	1	CYLINDER CABRIO 251
35	241804	538241804	2	MUFFLER STUD BOLT
C 36	242131	538242131	1	MUFFLER
C 37	242517	538242517	1	GASKET

pos	P/N McC	P/N ELX	Qty	note
38	322231	538322231	1	EXHAUST BAFFLE
39	235642	538235642	2	NUT M5
40	218644	538218644	2	SCREW
41	242742	538242742	1	GOLD FILTER COVER
41	242113	538242113	1	GREEN AIR FILTER COVER
C 42	241652	538241652	1	AIR FILTER
C 43	248177	538248177	1	25cc PISTON KIT
B 44	● 240002	538240002	1	PISTON RING (1PC)
45	● 235008	538235008	2	RING SNAP INT.
46	● 241735	538241735	1	PISTON PIN D=9

**FIGURA 3**

C -	241646	538241646		CARBURETOR M32-B
B 1	● 300465	538300465	1	CARB.REP.KIT
A 2	●● 300473	538300473	1	DIAPHRAM + GASKET KIT

A= ALTA ROTAZIONE	A=HIGH MOVING	A=HAUTE DEMANDE	A=GROßE NACHFRAGE
B=MEDIA ROTAZIONE	B=MEDIUM MOVING	B=MOYENNE DEMANDE	B=MITTELMAßIGE
C=BASSA ROTAZIONE	C=SLOW MOVING	C=BASSE DEMANDE	C=WENIGE NACHFRAGE